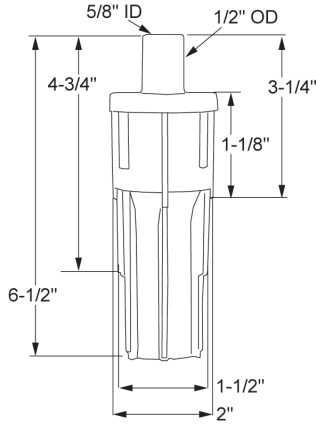


DRAIN LINE AIR GAPS



MR. DRAIN™

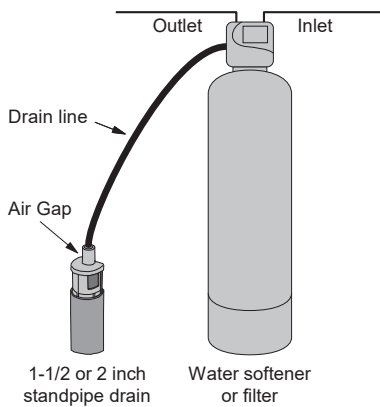


Dimensions in inches

Mr. Drain Air Gap (P/N 5M-15056) is designed to provide an effective way of connecting water softeners and water filters to 1½ and 2-inch drain lines.

Mr. Drain features a single inlet port that connects 1/2-inch piping or 5/8-inch tubing from a water softener or filter to the drain line. The unique feature of this air gap is being able to accommodate 1½ and 2-inch standpipe drains with ease. In addition, a special design of this air gap enables installation of multiple air gaps into the same drain connection. Up to three Mr. Drain Air Gaps can be installed into the same drainpipe to provide total of six simultaneous water discharge connections.

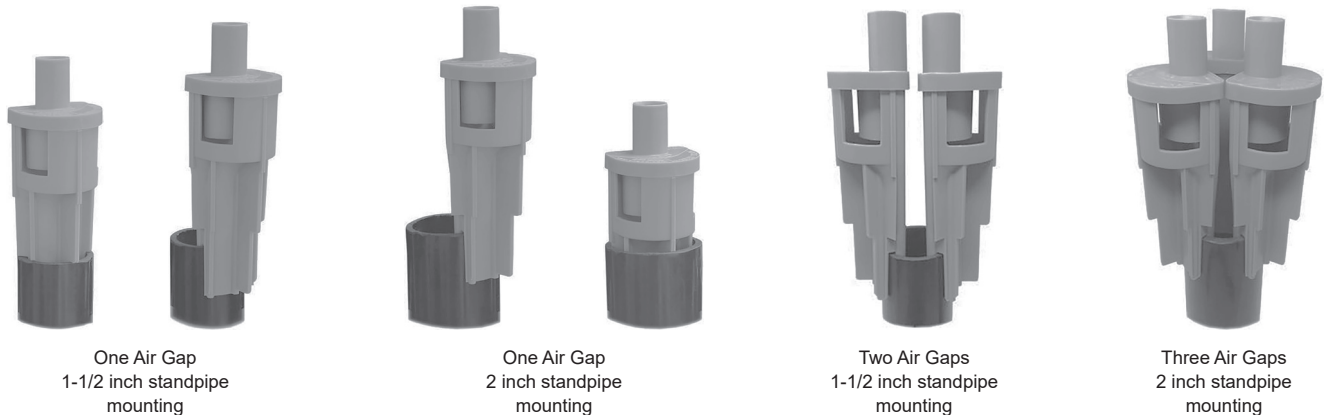
Mr. Drain uses a special plastic material that minimizes mold growth and provides a strong connection between piping, tubing, and drain line.



FEATURES

- 1/2-inch OD inlet port for 1/2-inch PVC
- 5/8-inch ID inlet port for polyethylene tubing
- Installs in both 1½-inch and 2-inch standpipes
- Standpipes can accommodate up to three units at a time
- Built-in splash guards assure a completely dry operation
- Legal to install in any state, UPC Listed, IPC and NSF tested

TYPICAL APPLICATIONS



DRAIN LINE AIR GAPS



GAP - A - FLO™



Gap-A-Flo
P/N SM-15051

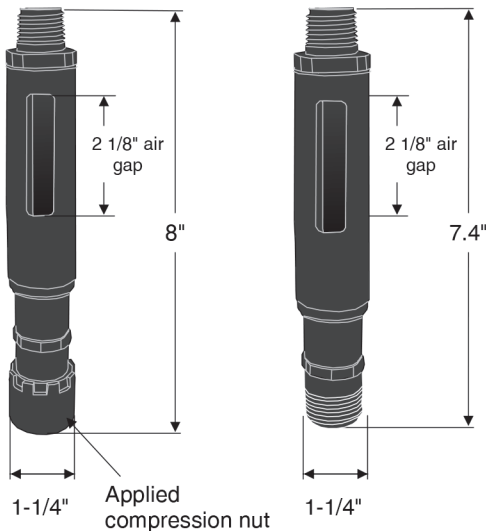


Gap-A-Flo High Flow
P/N SM-15052

Gap-A-Flo series inline water softener or water filter air gaps are designed to provide a convenient way to install an air gap which may be tilted up to 45 degrees. These air gaps can be connected using flex tubing or rigid PVC pipe. The unique design provides a completely protected air gap without any possibility of water splashing out. The rotating protection sleeve assures long and trouble-free operation and impedes insect ingress. The inlet port can accommodate a 1/4 inch FIP adapter or 1/2 inch threaded PVC adapter. The outlet port can accommodate a 3/4 inch threaded PVC adapter or 5/8 inch compression fitting.

FEATURES

- Provides an inline air gap
- Unit can be tilted up to 45° angle (window opening on top side)
- Easy vertical wall mounting with included "Jiffy Clip"
- Incorporates a rotatable splash guard/splatter shield
- Built-in splash guards assure a completely dry operation
- Recommended flow rate:
Standard model up to 7 gallons/minute (26.5 liters/minute)
High Flow model up to 12 gallons/minute (45.5 liters/minute)
- Legal to install in any state, UPC Listed, IPC and NSF tested



Dimensions in inches

TYPICAL APPLICATIONS

Note:
Splash guard must be rotated in a position to have an air gap opening and inner opening on the main body facing up.

